

22 kVA
28 kVA
37 kVA
45 kVA
55 kVA
75 kVA

▶ **90 kVA**

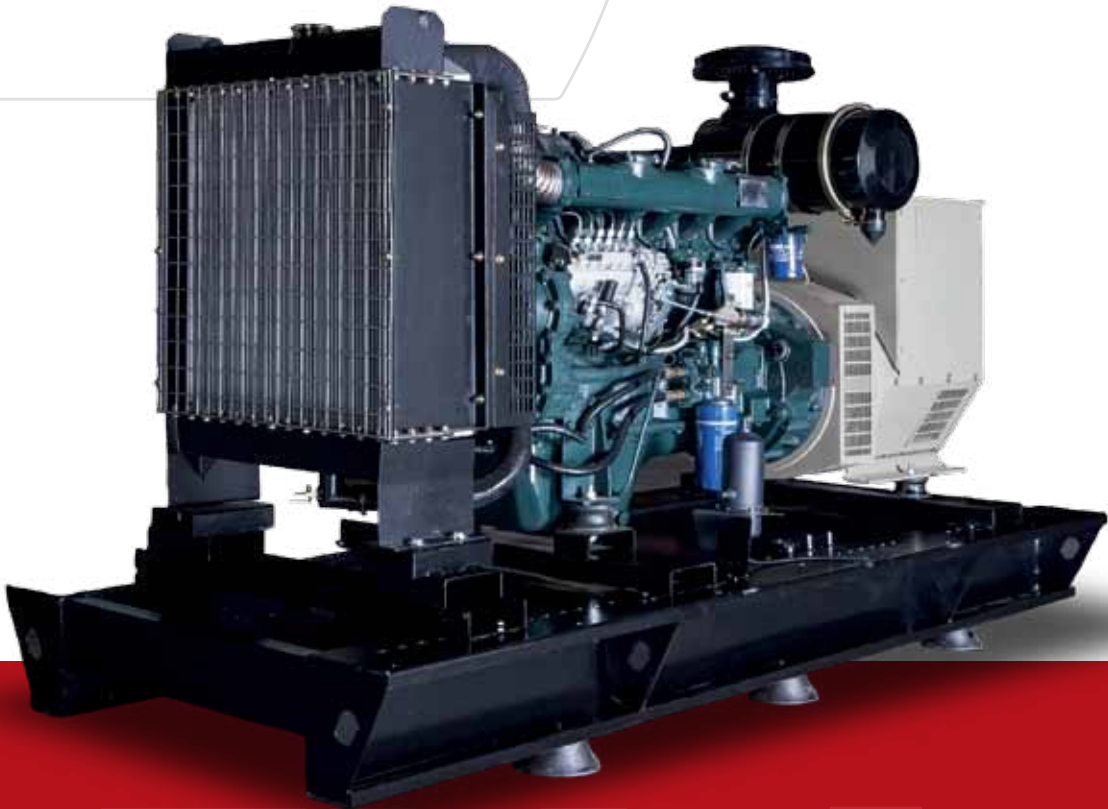
110 kVA
125 kVA
150 kVA
170 kVA
225 kVA
250 kVA



Distribuit de Power House

AJ-ELLA 90

TECHNICAL SPECIFICATIONS



ELLA



STANDARD PROPERTIES

- Flexible oil pipes and oil draining valve
- Pre-heater
- Lubrication oil and anti-freeze
- Batteries and cables
- Electrostatic paint coated, steel, welded chassis
- Fuel tank housed in the chassis
- Electronic battery charger



OUTPUT VALUES

Standby Power

kVA	kW	Amper
90	72	130

Prime Power

kVA	kW	Amper
82	66	119

DIESEL ENGINE

Cutting edge motor brands are used that are compatible with ISO 8528, ISO 3046, BS 5514, DIN 6271 standards, with their low fuel consumption, fuel pump mounted, mechanic and electronic type governor.

Brand	ELLA
Model	E4105ZLD1
Max. Total Output Power (kWm/hp)	74/100
Cubic Capacity (lt)	4,33
Cylinder Arrangement	4 Single Lines
Bore x Stroke (mm*mm)	105*125
Compression Ratio	16:01
Governor Type	Mechanic
Revolution	1500 RPM
Intake System	Turbocharge
Spray Pattern	Direct
Cooling Pattern	Water cooled
Electric System (VCD)	12
Oil Capacity (lt)	14
Cooling Water Capacity (lt)	20
Fuel Consumption 50% (lt/h)	8,9
Fuel Consumption 75% (lt/h)	13,5
Fuel Consumption 100% (lt/h)	18

ALTERNATOR

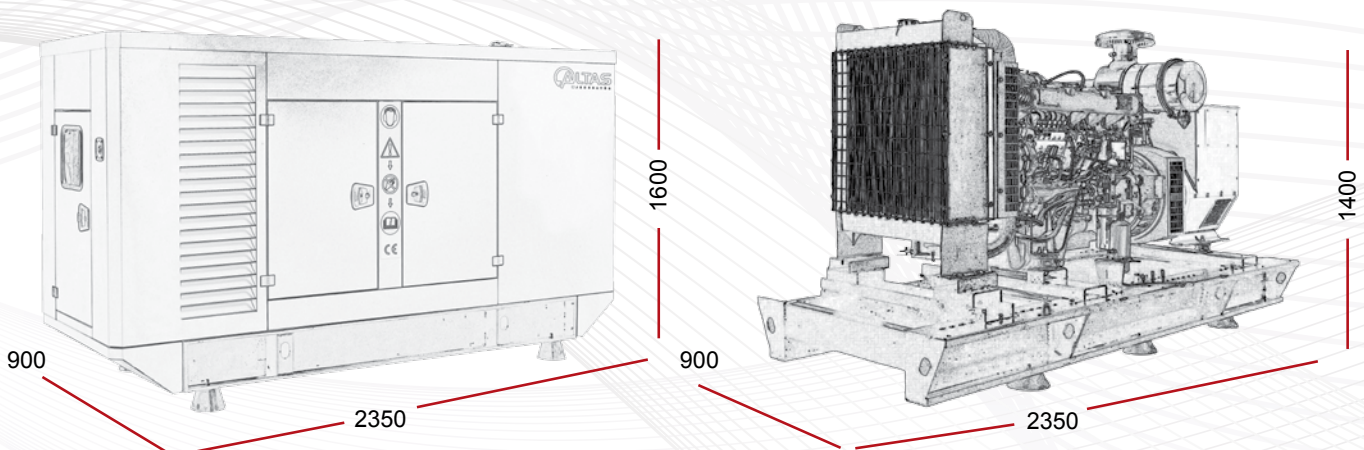
4 poles, self-excitation, brushless, synchro type alternator, electronic type voltage regulator with a maintenance-free bearing system that enables precision voltage adjustment.

Brand	ELLA
Output Voltage (V)	230/400
Frequency (Hz)	50
Permanent Voltage Reg. (±)	1%
Short Circuit Current	300% (10 sec)
Isolation Class	H
Protection Class	IP23
Productivity (%)	90,2
Overload Uptime	110% for one hour
Power Factor (cos Phi)	0,8
Total Harmonic Degradation	< 3 %
Connection Style	Star
Number of Poles	4
Number of Bearings	Single

DIMENSION AND WEIGHT

Canopy Group	Width (mm)	900
	Length (mm)	2350
	Height (mm)	1600
	Weight (Kg)	1034
	Fuel Tank Capacity (lt)	160

Without Canopy Group	Width (mm)	900
	Length (mm)	2350
	Height (mm)	1400
	Weight (Kg)	844
	Fuel Tank Capacity	160



*Altaş Generator reserves its right to change the specifications and cabin sizes in advance due to the continuing developments in the generator technology without any prior notification.

OPTIONAL FEATURES

- Soundproof canopy
- Transfer switch
- Fuel sedimentary filter
- Alternator output switch
- Heating system for fuel tank
- Oil heater
- External fuel tank and transfer pump
- Remote control and monitoring
- Synchronization systems
- Special type exhaust muffler
- Trailer
- Noise level: 76dB / 7m

CONTROL PANEL FEATURES



- Diesel and gas genset support
- 400 Hz operation support
- 400 event logs, full snapshot
- All parameters front panel editable
- 3 level configuration password
- 128x64 graphical LCD display
- Downloadable language
- Waveform display of V&I
- Harmonic analysis of V&I
- 16 Amp MCB & GCB outputs
- 8 configurable digital inputs
- 6 configurable digital outputs
- 3 configurable analog inputs
- CANBUS-J1939 & MPU input
- 3 configurable service alarms
- Multiple automatic exerciser
- Weekly operation schedule
- Dual mutual standby with equal aging of gensets
- Manual 'speed fine adjust' on selected ECUs
- Automatic fuel pump control
- Disable protections feature
- Excess power protection
- Reverse power protection
- Overload IDMT protection
- Load shedding, dummy load
- Multiple load management
- Current unbalance protection
- Voltage unbalance protection
- Fuel filling & fuel theft alarms
- Battery back-up real time clock
- Idle speed control
- Battery charge run enabled
- Combat mode support
- Multiple nominal conditions
- Contactor & MCB drive
- 4 quadrant genset power counters
- Mains power counters
- Fuel filling counter
- Fuel consumption counter
- Modem diagnostics
- Configurable through USB, RS-232 and GPRS
- Free configuration software
- SMS controls enabled
- Ready for central monitoring
- Mobile genset support
- Automatic GSM geo-location
- GPS connection (RS232)
- USB firmware upgrade
- IP65 rating with standard gasket